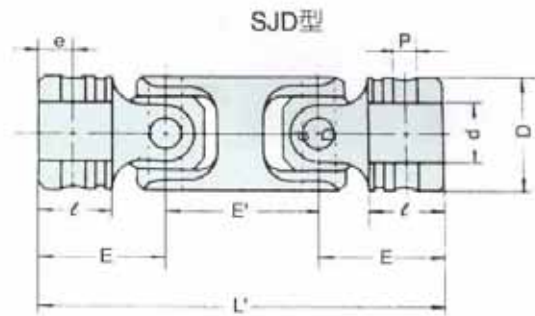
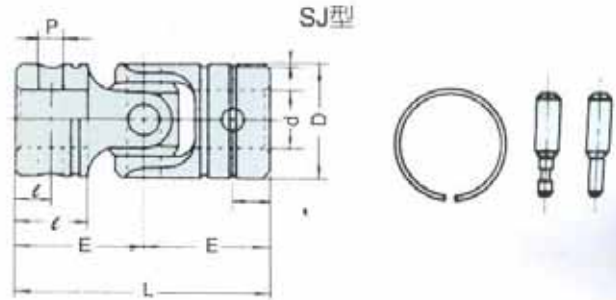


SJ · SJD 型



單位 UNIT : mm

記號 SPECIF 型式 MODEL	內徑 I.D.		外徑 O.D. D ϕ	L	L'	E	E'	I	e	P H8	Center Swing	重量 (g) Weight
	d ϕ H7											
	in	mm										
SJ.SJD-6	1/4	6	12	31	49.5	15.5	18.5	9	4.5	3	0.10	15
SJ.SJD-8	5/16	8	15	36	58	18	22	10	5	3.5	0.10	30
SJ.SJD-10	3/8	10	19	42	67.5	21	25.5	12	6	4.5	0.10	55
SJ.SJD-12	1/2	12	23	52	83	26	31	15	7.5	5	0.10	110
SJ.SJD-14	9/16	14	26	59	94.5	29.5	35.5	17	8.5	5.8	0.10	155
SJ.SJD-16	5/8	16	30	74	117.5	37	43.5	22	11	6.5	0.10	260
SJ.SJD-20	3/4	20	36	87	139	43.5	52	25	12.5	8	0.10	465
SJ.SJD-25	1	25	44	105	168	52.5	63	30	15	10	0.15	790
SJ.SJD-30	1 1/4	30	51	122	195	61	73	35	17.5	11.5	0.15	1160

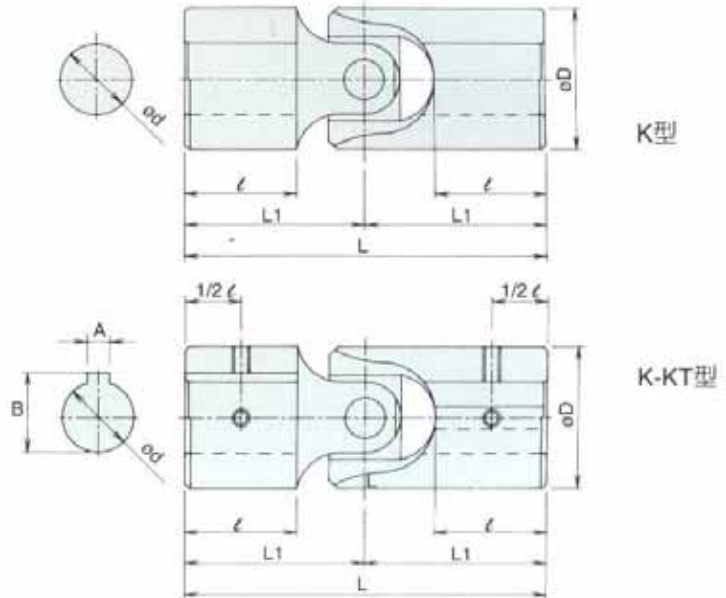
· 尺寸規格如有變更，恕不另行通知。
 · The above specifications are subject to change without prior notice.

K 型



K-6 ~ K-25

K-30 ~ K-100



K型

K-KT型

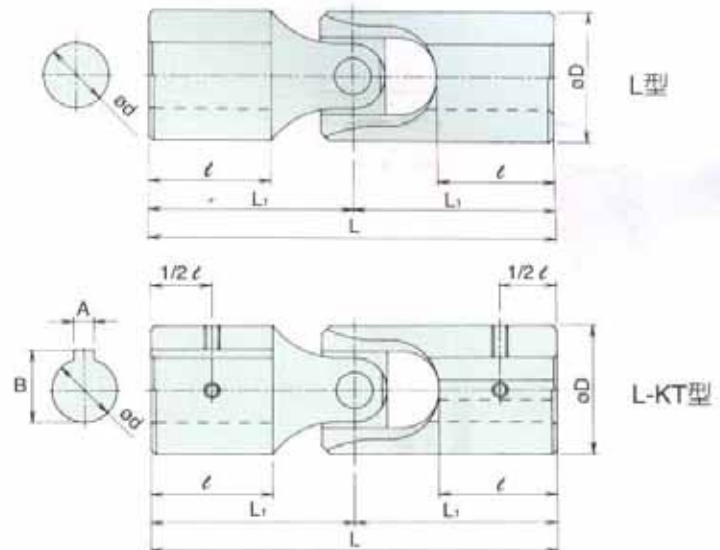
單位 UNIT : m/m

型式 MODEL	記號 SPECIF	Ma(kgf-m)	M(kgf-m)	$\beta (^{\circ})$	d o H7	D o	L	L ₁	ℓ	AxBJS9	M	(g)
K-6	-	0.8	1.6	15	6	12	33	16.5	10	-	-	19
K-8	-	1.5	3.2	15	8	16	40	20.0	11	-	-	45
K-10	K-10KT	3.0	7.5	15	10	20	45	22.5	13	3x11.8	M5	85
K-12	K-12KT	4.5	12.0	15	12	24	51	25.5	14	4x13.8	M5	130
K-14	K-14KT	7.0	17.0	15	14	28	61	30.5	17	5x16.3	M6	205
K-16	K-16KT	10.0	25.0	15	16	32	69	34.5	19	5x18.3	M6	295
K-18	K-18KT	13.0	32.0	15	18	36	77	38.5	21	6x20.8	M6	427
K-20	K-20KT	18.0	45.0	15	20	40	87	43.5	24	6x22.8	M6	520
K-22	K-22KT	24.0	60.0	15	22	44	95	47.5	26	6x24.8	M6	800
K-25	K-25KT	30.0	80.0	15	25	50	111	55.5	30	8x28.3	M8	1100
K-30	K-30KT	45.0	115.0	15	30	60	130	65.0	37	8x33.3	M8	2000
k-35	k-35KT	55.0	180.0	15	35	70	149	74.5	41	10x38.3	M8	3200
K-40	K-40KT	85.0	250.0	15	40	80	167	83.5	46	12x43.3	M10	4700
K-45	K-45KT	125.0	350.0	15	45	90	205	102.5	51	-	-	7350
K-50	K-50KT	180.0	490.0	15	50	100	228	114.0	59	-	-	8200
K-60	K-60KT	280.0	650.0	15	60	120	270	135.0	70	-	-	16800
K-70	-	450.0	1200.0	15	70	135	320	160.0	92	-	-	25000
K-80	-	550.0	1400.0	15	80	160	360	180.0	110	-	-	37000
K-100	-	650.0	1900.0	15	100	175	500	250.0	135	-	-	66000

・ 尺寸規格如有變更，恕不另行通知。

・ The above specifications are subject to change without prior notice.

L 型



單位 UNIT : mm

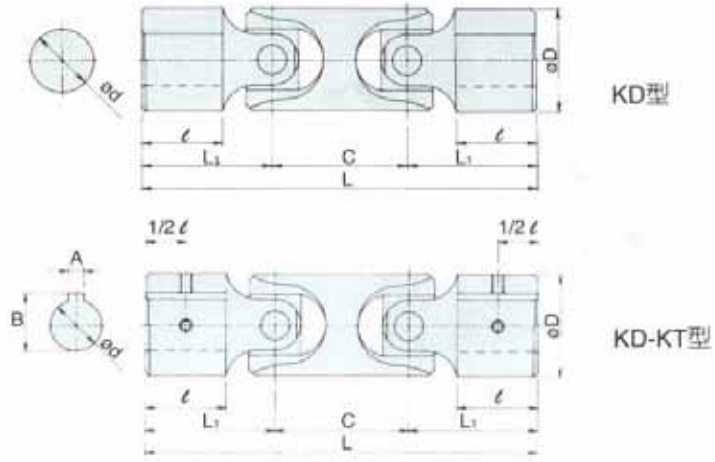
型式 MODEL	記號 SPECIF	Ma(kgf-m)	M(kgf-m)	$\beta(^{\circ})$	d ø H7	D ø	L	L ₁	l	AxBJS9	M	(g)
L-6	-	0.8	1.6	15	6	12	50	25	18.5	-	-	40
L-8	-	1.5	3.2	15	8	16	56	28	19	-	-	50
L-10	L-10KT	3.0	7.5	15	10	20	68	34	24	3x11.8	M5	110
L-12	L-12KT	4.5	12.0	15	12	24	84	42	29	4x13.8	M5	210
L-14	L-14KT	7.0	17.0	15	14	28	94	47	32	5x16.3	M6	300
L-16	L-16KT	10.0	25.0	15	16	32	104	52	35	5x18.3	M6	470
L-18	L-18KT	13.0	32.0	15	18	36	120	60	39	6x20.8	M6	670
L-20	L-20KT	18.0	45.0	15	20	40	124	62	40	6x22.8	M6	850
L-22	L-22KT	24.0	60.0	15	22	44	130	65	42	6x24.8	M6	1100
L-25	L-25KT	30.0	80.0	15	25	50	140	70	43	8x28.3	M8	1600
L-30	L-30KT	45.0	115.0	15	30	60	178	89	54	8x33.3	M8	2600
L-35	L-35KT	55.0	180.0	15	35	70	200	100	58	10x38.3	M8	4300
L-40	L-40KT	85.0	250.0	15	40	80	228	114	67	12x43.3	M10	6300
L-45	-	125.0	350.0	15	45	90	250	125	74	-	-	8500
L-50	-	180.0	490.0	15	50	100	270	135	80	-	-	11500
L-60	-	280.0	650.0	15	60	120	300	150	85	-	-	19000

• 尺寸規格如有變更，恕不另行通知。
 • The above specifications are subject to change without prior notice.

KD 型



KD-6 ~ KD-25 KD-30 ~ KD-100



單位 UNIT : mm

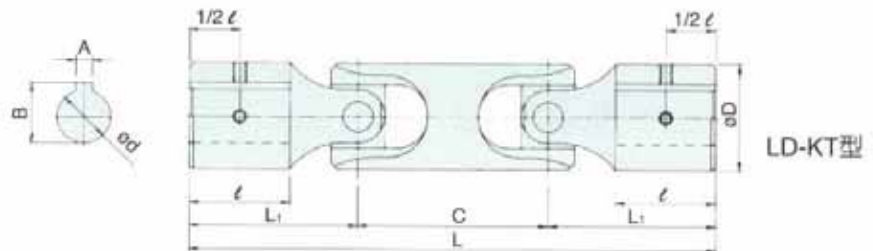
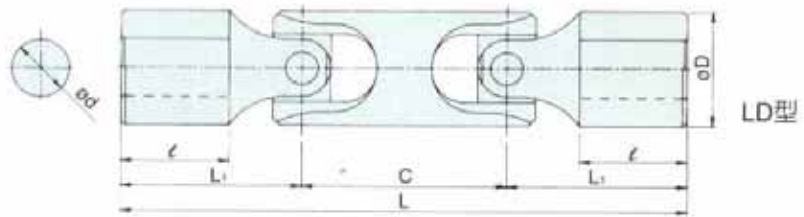
型式 MODEL	記號 SPECIF	Ma(kgf-m)	M(kgf-m)	$\beta (^{\circ})$	d ϕ H7	D ϕ	L	L ₁	C	l	AxBJS9	M	(kg)
KD-6	-	0.8	1.6	30	6	12	55	16.5	22	10	-	-	0.038
KD-8	-	1.5	3.2	30	8	16	65	20.0	25	11	-	-	0.090
KD-10	KD-10KT	3.0	7.5	30	10	20	71	22.5	26	13	3x11.8	M5	0.120
KD-12	KD-12KT	4.5	12.0	30	12	24	83	25.5	32	14	4x13.8	M5	0.200
KD-14	KD-14KT	7.0	17.0	30	14	28	98	30.5	37	17	5x16.3	M6	0.310
KD-16	KD-16KT	10.0	25.0	30	16	32	113	34.5	44	19	5x18.3	M6	0.470
KD-18	KD-18KT	13.0	32.0	30	18	36	126	38.5	49	21	6x20.8	M6	0.650
KD-20	KD-20KT	18.0	45.0	30	20	40	141	43.5	54	24	6x22.8	M6	0.950
KD-22	KD-22KT	24.0	60.0	30	22	44	154	47.5	59	26	6x24.8	M6	1.20
KD-25	KD-25KT	30.0	80.0	30	25	50	180	55.5	69	30	8x28.3	M8	1.80
KD-30	KD-30KT	45.0	115.0	30	30	60	207	65.0	77	37	8x33.3	M8	3.00
KD-35	KD-35KT	55.0	180.0	30	35	70	240	74.5	91	41	10x38.3	M8	4.70
KD-40	KD-40KT	85.0	250.0	30	40	80	269	83.5	102	46	12x43.3	M10	7.50
KD-45	-	125.0	350.0	30	45	90	318	102.5	113	51	-	-	11.00
KD-50	-	180.0	490.0	30	50	100	354	114.0	126	59	-	-	16.50
KD-60	-	280.0	650.0	30	60	120	408	135.0	138	70	-	-	25.00
KD-70	-	450.0	1200.0	30	70	135	510	160.0	190	92	-	-	38.00
KD-80	-	550.0	1400.0	30	80	160	560	180.0	200	110	-	-	55.00
KD-100	-	650.0	1900.0	30	100	175	790	250.0	290	135	-	-	100.00

· 尺寸規格如有變更，恕不另行通知。
· The above specifications are subject to change without prior notice.

LD 型



LD-6 ~ LD-25 LD-30 ~ LD-60



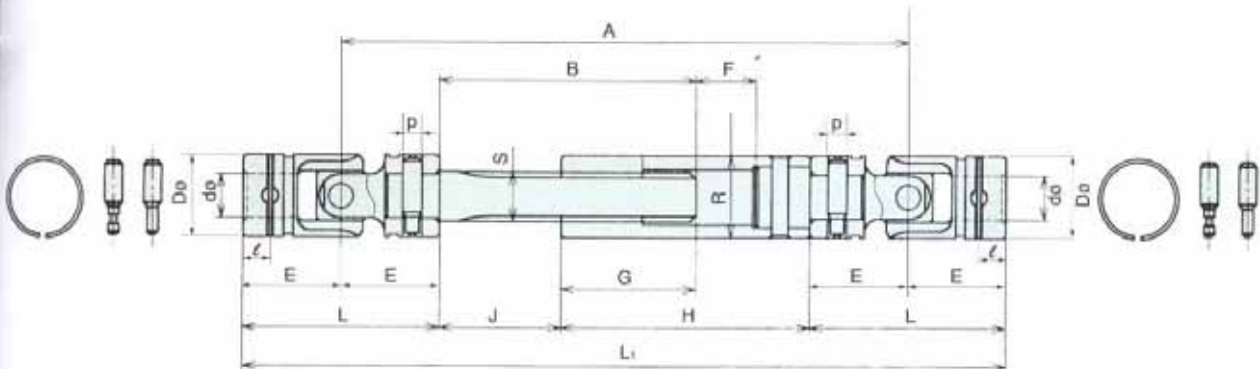
單位 UNIT : m/m

型式 MODEL	記號 SPECIF	Ma(kgf-m)	M(kgf-m)	$\beta (^{\circ})$	d ϕ H7	D ϕ	L	L ₁	C	ℓ	AxBJS9	M	(kg)
LD-6	-	0.8	1.6	30	6	12	75	25	25	18.5	-	-	0.045
LD-8	-	1.5	3.2	30	8	16	86	28	30	19	-	-	0.090
LD-10	LD-10KT	3.0	7.5	30	10	20	102	34	34	24	3x11.8	M5	0.160
LD-12	LD-12KT	4.5	12.0	30	12	24	125	42	41	29	4x13.8	M5	0.300
LD-14	LD-14KT	7.0	17.0	30	14	28	143	47	49	32	5x16.3	M6	0.500
LD-16	LD-16KT	10.0	25.0	30	16	32	158	52	54	35	5x18.3	M6	0.650
LD-18	LD-18KT	13.0	32.0	30	18	36	180	60	60	39	6x20.8	M6	0.950
LD-20	LD-20KT	18.0	45.0	30	20	40	188	62	64	40	6x22.8	M6	1.200
LD-22	LD-22KT	24.0	60.0	30	22	44	200	65	70	42	6x24.8	M6	1.500
LD-25	LD-25KT	30.0	80.0	30	25	50	220	70	80	43	8x28.3	M8	2.200
LD-30	LD-30KT	45.0	115.0	30	30	60	275	89	97	54	8x33.3	M8	4.000
LD-35	LD-35KT	55.0	180.0	30	35	70	310	100	110	58	10x38.3	M8	6.050
LD-40	LD-40KT	85.0	250.0	30	40	80	350	114	122	67	12x43.3	M10	9.500
LD-45	-	125.0	350.0	30	45	90	390	125	140	74	-	-	12.000
LD-50	-	180.0	490.0	30	50	100	426	135	156	80	-	-	17.600
LD-60	-	280.0	650.0	30	60	120	485	150	185	85	-	-	30.000

· 尺寸規格如有變更，恕不另行通知。

· The above specifications are subject to change without prior notice.

SJS 型



單位 UNIT : mm

型號 MODEL	A	B	F	G	H	J
SJS-8	129	65	13	37	65	28
SJS-10	135	65	13	37	65	28
SJS-12	173	88	16	56	89	32
SJS-14	181	87	18	54	89	33
SJS-16	234	115	23	75	120	40
SJS-20	257	118	27	73	125	45
SJS-25	300	133	32	83	145	50
SJS-30	342	145	40	85	160	60

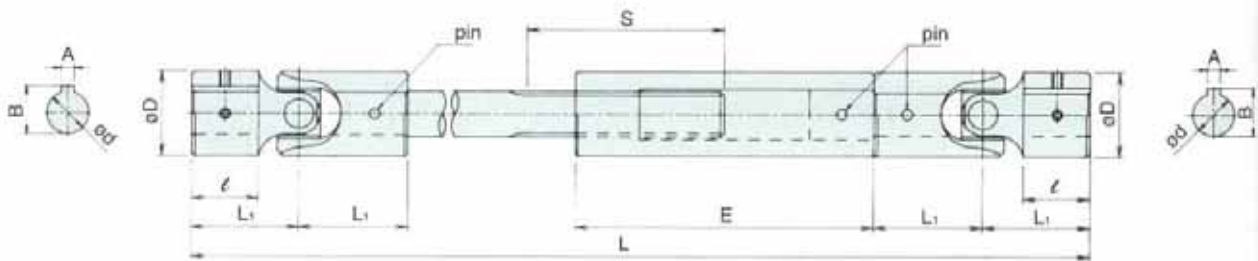
- 尺寸規格如有變更，恕不另行通知。
- The above specifications are subject to change without prior notice.

單位 UNIT : mm

型號 MODEL	Ma(kgf-m)	M(kgf-m)	MIN	MAX	mm	S	D	d	øH7	R	L	E	i	e	P ^{mm}	Swing
SJS-8	0.86	2.6	163	340	+30	D=10 m=0.75 Z=11	17	8	17	36	18	10	5	3.5	0.10	
SJS-10	2.0	6.1	177	355	+30	D=12 m=0.1 Z=10	19	10	19	42	21	12	6	4.5	0.10	
SJS-12	3.3	10	225	430	+35	16x13x3.5x6	23	12	23	52	26	15	7.5	5	0.10	
SJS-14	4.6	14	240	460	+40	16x13x3.5x6	23	14	26	59	29.5	17	8.5	5.8	0.10	
SJS-16	7.6	23	308	570	+40	20x16x4x6	30	16	30	74	37	22	11	6.5	0.10	
SJS-20	12.9	39	344	680	+50	22x18x5x6	36	20	36	87	43.5	25	12.5	8	0.10	
SJS-25	24.8	75	405	750	+50	28x23x6x6	44	25	44	105	52.5	30	15	10	0.15	
SJS-30	36.3	110	464	950	+60	32x26x6x6	51	30	51	122	61	35	17.5	11.5	0.15	

- 尺寸規格如有變更，恕不另行通知。
- The above specifications are subject to change without prior notice.

KHS 型

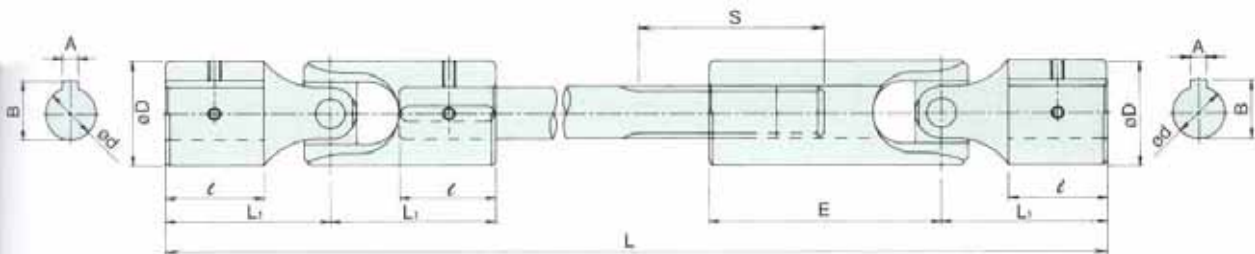


單位 UNIT: m/m

型式 MODEL	配號 SPECIF	Ma(kgf-m)	M(kgf-m)	MIN	MAX	mm	d ø H7	D ø	L ₁	ℓ	E	AxB JS9	S	外徑x內徑x巾x齒數 ODxIDxTEETH
KHS-10		2.2	8.0	165	305	+30	10	20	22.5	13	75	3x11.8	60	M1.0xPA20°xNT8
KHS-12		4.3	14.0	182	335	+30	12	24	25.5	14	80	4x13.8	65	14x11x3x6
KHS-14		6.5	20.0	207	385	+30	14	28	30.5	17	85	5x16.3	80	16x13x3.5x6
KHS-16		10.5	27.0	248	430	+40	16	32	34.5	19	110	5x18.3	90	20x16x4x6
KHS-18		11.0	35.0	269	480	+40	18	36	38.5	21	115	6x20.8	90	20x16x4x6
KHS-20		18.4	55.0	299	580	+40	20	40	43.5	24	125	6x22.8	100	22x18x5x6
KHS-22		20.5	75.0	320	680	+40	22	44	47.5	26	130	6x24.8	105	25x21x6x6
KHS-25		38.0	100.0	372	775	+50	25	50	55.5	30	150	8x28.3	120	28x23x6x6
KHS-30		50.0	200.0	435	850	+50	30	60	65.0	37	175	8x33.3	140	34x28x7x6

- 尺寸規格如有變更，恕不另行通知。
- The above specifications are subject to change without prior notice.

LS 型

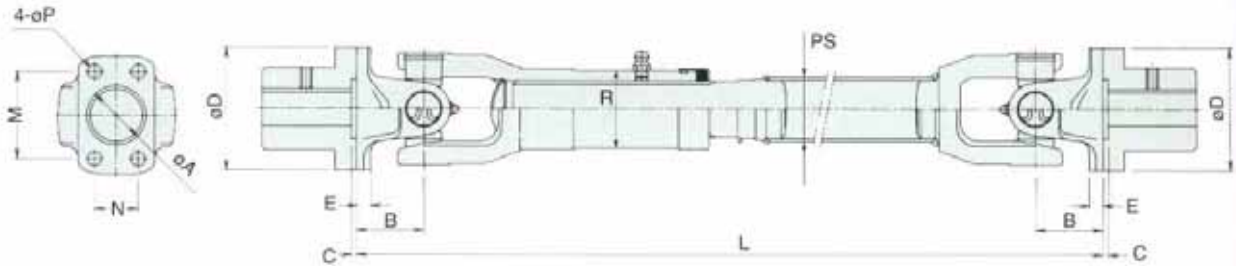


單位 UNIT: mm

型式 MODEL	記號 SPECIF	Ma(kgf-m)	M(kgf-m)	MIN	MAX	mm	d ø H7	D ø	L ₁	ℓ	E	AxBJS9	S	外徑x內徑x內齒數 ODxDxTEETH
LS-10		3.0	7.5	167	345	+30	10	20	34	24	65	3x11.8	65	M1.0xPA20'xNT8
LS-12		4.5	12.0	206	385	+35	12	24	42	29	80	4x13.8	75	14x11x3x8
LS-14		7.0	17.0	231	440	+40	14	28	47	32	90	5x16.3	80	16x13x3.5x6
LS-16		10.0	25.0	256	480	+40	16	32	52	35	100	5x18.3	90	20x16x4x6
LS-18		13.0	32.0	290	560	+40	18	36	60	39	110	6x20.8	100	20x16x4x6
LS-20		18.0	45.0	301	575	+50	20	40	62	40	115	6x22.8	100	22x18x5x6
LS-22		24.0	60.0	315	615	+50	22	44	65	42	120	6x24.8	105	25x21x6x6
LS-25		30.0	80.0	335	675	+50	25	50	70	43	125	8x28.3	115	28x23x6x6
LS-30		45.0	115.0	422	780	+60	30	60	89	54	155	8x33.3	130	34x28x7x6
LS-35		55.0	180.0	475	970	+65	35	70	100	58	175	10x38.3	150	34x28x7x6
LS-40		85.0	250.0	532	1105	+75	40	80	114	67	190	12x43.3	160	M2.5xPA20'xNT16
LS-45		125.0	350.0	575	1225	+75	45	90	125	74	200	14x48.8	170	M2.5xPA20'xNT16
LS-50		180.0	490.0	615	1295	+90	50	100	135	80	210	14x53.8	170	M3.0xPA20'xNT16
LS-60		280.0	650.0	680	1415	+90	60	120	150	85	230	18x64.4	185	M4.0xPA20'xNT16
LS-70		450.0	1200.0	730	1745	+110	70	135	160	92	250	20x74.9	200	M4.0xPA20'xNT16
LS-80		550.0	1400.0	820	1935	+130	80	160	180	110	280	22x85.4	220	M5.0xPA20'xNT16
LS-100		650.0	1900.0	1060	2335	+130	100	175	250	135	310	28x106.4	240	M5.0xPA20'xNT16

· 尺寸規格如有變更，恕不另行通知。
· The above specifications are subject to change without prior notice.

SM 型

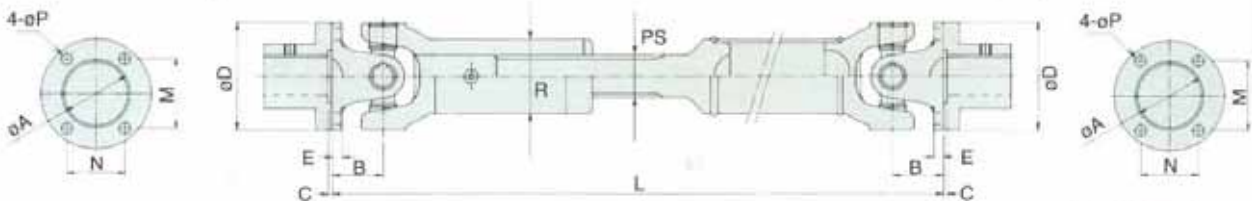


單位 UNIT: mm

	Ma(kgf-m)	M(kgf-m)	$\beta (^{\circ})$	L mm	伸縮	ϕA -0.02 -0.07	B	C	$\phi D \pm 0.5$	E	N ± 0.1	M ± 0.1	ϕP	孔 HOLES	PS	R
SM-120	35	120	18	420	+120	34.0	38.0	3.0	70	8.0	25	50	8.2	4	25	36
SM-280	55	280	20	440	+110	42.0	40.0	3.5	75	8.0	35	60	8.2	4	33	50

· 尺寸規格如有變更，恕不另行通知。
 · The above specifications are subject to change without prior notice.

SHT 型

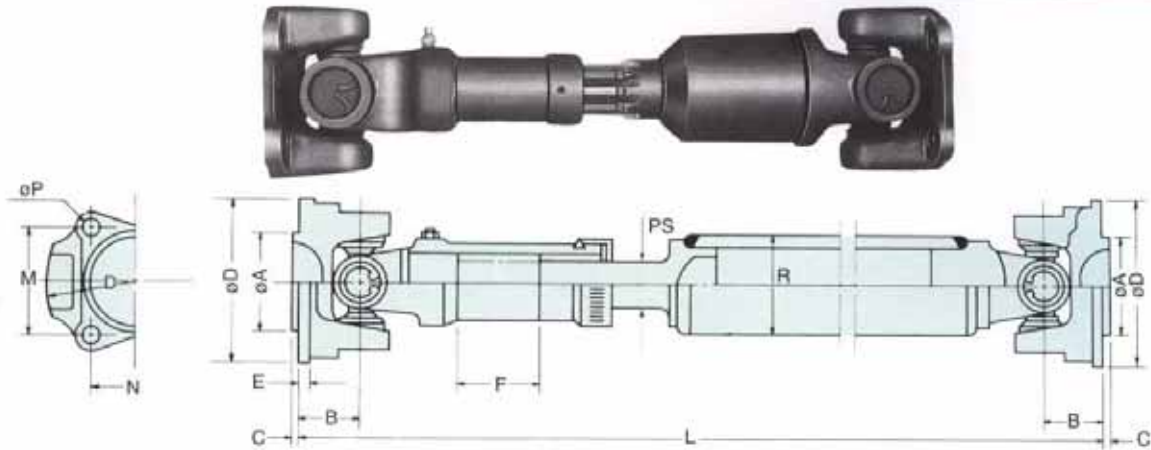


單位 UNIT: mm

記號 SPECIF 型式 MODEL	Ma(kgf-m)	M(kgf-m)	$\beta (^{\circ})$	L mm	ϕA +0 -0.05	B	C	$\phi D \pm 0.5$	E	F	N ± 0.15	M ± 0.15	ϕP	N	PS	R
SHT-65	7	15	15	200	35.0	50.0	-2	65	10	+20	36	36	6.0	4	33	35
SHT-75	20	43	15	220	42.0	45.0	-3	75	8	+20	39	46	9.0	4	25	36
SHT-80	20	43	15	230	42.0	45.0	-3	80	10	+20	33	58	9.0	4	25	50
SHT-100	60	125	15	280	60.0	47.0	2	100	8	+50	50	60	9.0	4	33	45
SHT-125	120	350	15	300	75.0	66.0	3	125	16	+50	64	77	13.0	4	38	60

· 尺寸規格如有變更，恕不另行通知。
 · The above specifications are subject to change without prior notice.

STH 型

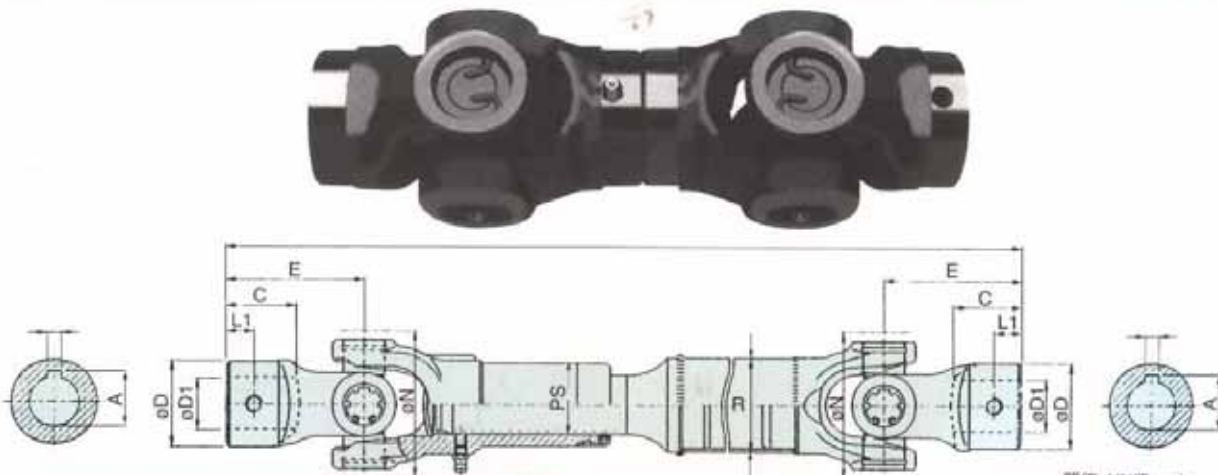


單位 UNIT : m/m

型式 MODEL	配重 SPECIF	Ma(kgf-m)	M(kgf-m)	$\beta (^{\circ})$	L_{min}	ϕA -0.02 -0.07	B	C	$\phi D \pm 0.5$	E	F	$N \pm 0.1$	$M \pm 0.1$	ϕP	N	PS	R
STH-45		45	120	25	320	45	47	4	97	8	+50	48	57	10.0	4	38	60
STH-55		60	140	25	370	45	53	3	110	12	+50	60	68	11.0	4	38	60
STH-70		70	170	25	420	68	60	3	148	10	+60	86	86	12.5	4	60	80

- 尺寸規格如有變更，恕不另行通知。
- The above specifications are subject to change without prior notice.

LSD 型



單位 UNIT : m/m

型式 MODEL	配重 SPECIF	Ma(kgf-m)	M(kgf-m)	$\beta (^{\circ})$	ϕD_1	ϕD	ϕN	C	E	L_{min}	伸縮 EXT.	L_1	PS	R
LSD-55		7	15	30	20	40	67	25	60	240	+50	12	25	36
LSD-65		7	15	30	22	45	70	25	67	270	+50	12	25	36
LSD-75		20	43	30	25	50	73	30	57	230	+50	15	25	36
LSD-75		20	43	60	25	50	73	30	73	290	+50	15	25	36

- 尺寸規格如有變更，恕不另行通知。
- The above specifications are subject to change without prior notice.